

# SINGLE VANE MOTORS

## T25M-T50M High Performance

High Performance

High speeds of up to 4000rpm

Versatile and compact

Peak Pressure 2500psi



Model	Cam Ring Size lb in/100 psi	Displacement cm <sup>3</sup> /r (in <sup>3</sup> /r)	Maximum Speed rpm	Maximum Pressure bar (psi)	Typical Delivery US gpm (l/min) 1200rpm	Mount	Approx weight kg (lbs)
25M	42	43.9 (2.68)	4000	172 (2500)	13.9 (52.6)	SAE B	18kg (40lb)
	55	57.7 (3.52)	4000	172 (2500)	18.3 (18.3)		
	65	68.7 (4.19)	4000	172 (2500)	21.8 (82.5)		
35M	80	83.6 (5.10)	4000	172 (2500)	26.5 (100.3)	SAE C	29kg (64lb)
	95	100.3 (6.12)	4000	172 (2500)	31.8 (120.4)		
	115	121.9 (7.44)	4000	172 (2500)	38.6 (146.1)		
45M	130	138.0 (8.42)	3000	172 (2500)	43.7 (165.4)	SAE C	39kg (85lb)
	155	163.2 (9.96)	3000	172 (2500)	51.7 (195.7)		
	185	193.2 (11.79)	3000	172 (2500)	61.3 (232.0)		
50M	220	231.2 (14.11)	3200	172 (2500)	73.3 (277.5)	SAE D	73kg (160lb)
	255	268.1 (16.36)	3200	172 (2500)	85.0 (321.8)		
	300	317.1 (19.35)	3200	172 (2500)	100.5 (380.4)		

Phone: 07 3889 4591

Fax: 07 3889 5921

[www.tidalfluidpower.com.au](http://www.tidalfluidpower.com.au)

[sales@tidalfluidpower.com.au](mailto:sales@tidalfluidpower.com.au)

\* 3000psi max



<b>T35M</b>	<b>95</b>	<b>A</b>	<b>11</b>	<b>C</b>	<b>20</b>	<b>***</b>
-------------	-----------	----------	-----------	----------	-----------	------------

### Series

T25M, T35M, T45M, T50M

50M Only  
114, 124

Design

### Cartridge Kit

T25M - 42, 55, 65

T35M - 80, 95, 115

T45M - 130, 155, 185

T50M - 220, 255, 300

### Cover position

A - Cover port opposite body port

B - Cover port 90degree ccw from body port

C - Port connections in line

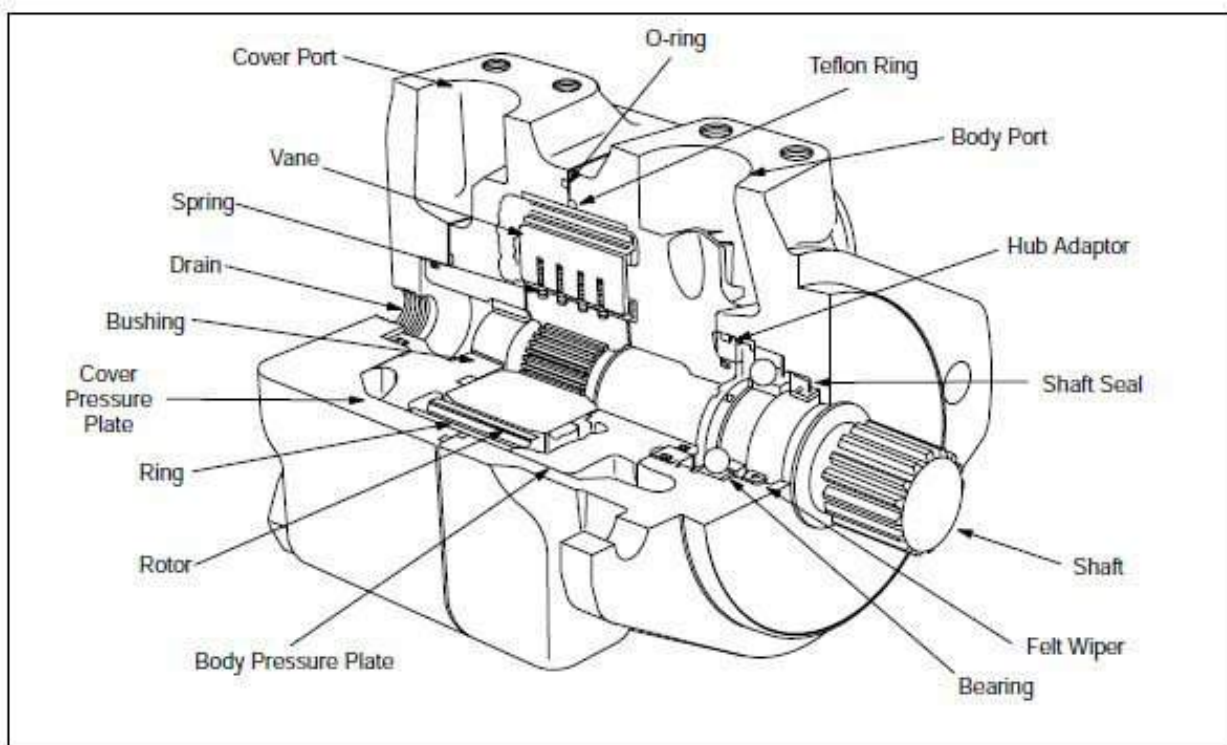
D - Cover port 90degree cw from body port

### Shaft Type

1 - Straight Keyed

11 - Splined

A - SAE 2 or 4 Bolt



### Filtration:

For satisfactory service life, use full flow filtration to provide fluid which meets ISO cleanliness code 16/13 or better.

**Phone: 07 3889 4591**

**Fax: 07 3889 5921**

**[www.tidalfluidpower.com.au](http://www.tidalfluidpower.com.au)**

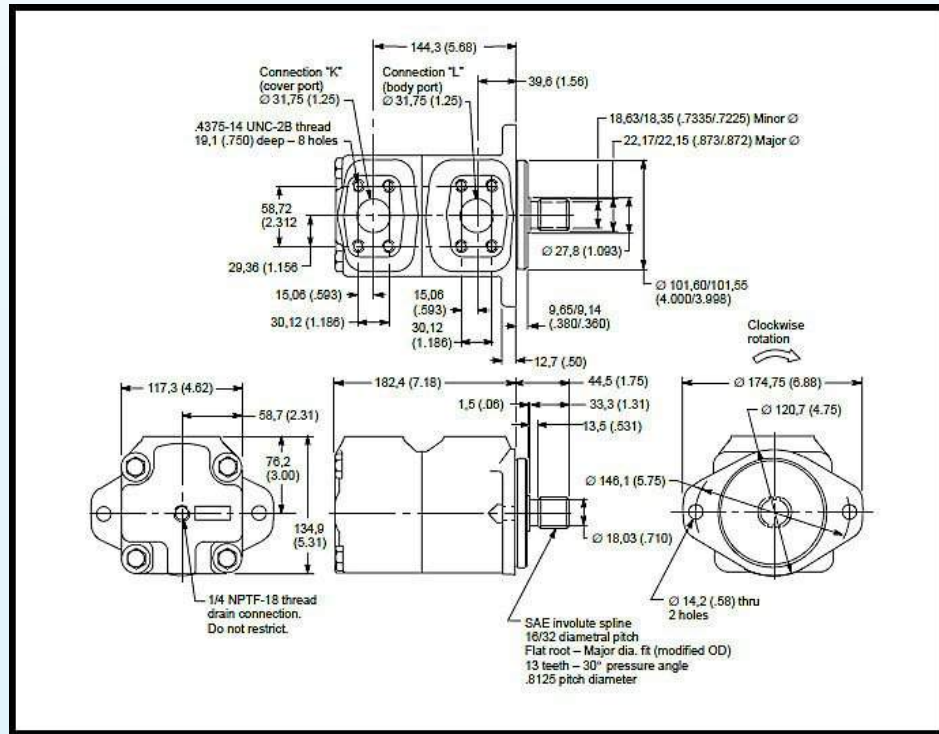
[sales@tidalfluidpower.com.au](mailto:sales@tidalfluidpower.com.au)



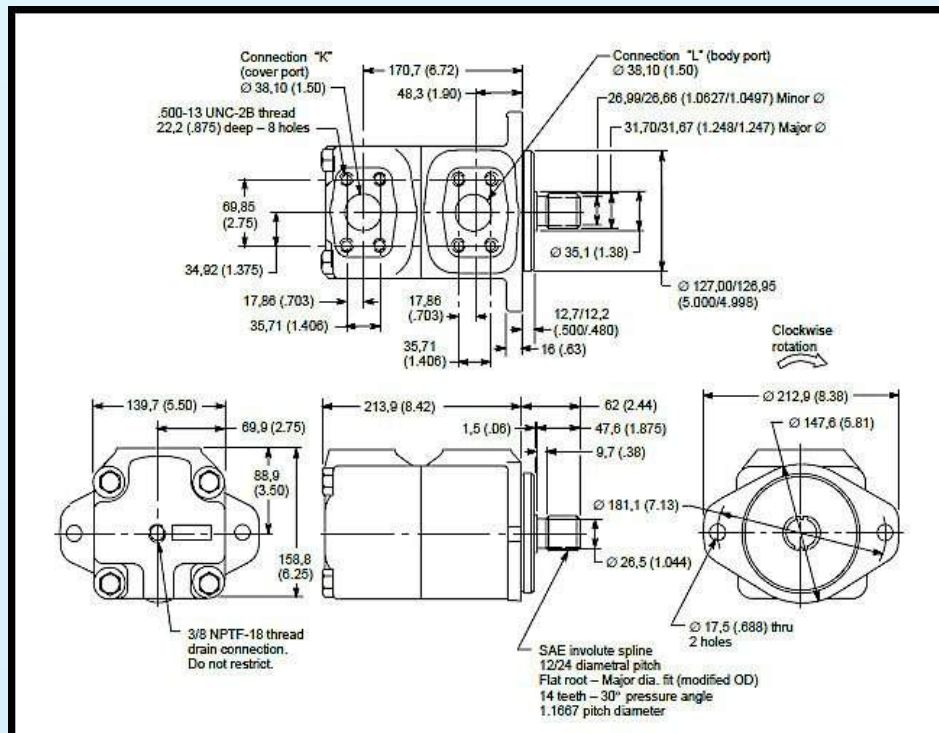
# Single Vane Motors

## Installation Dimensions

### T25M



### T35M



Phone: 07 3889 4591

Fax: 07 3889 5921

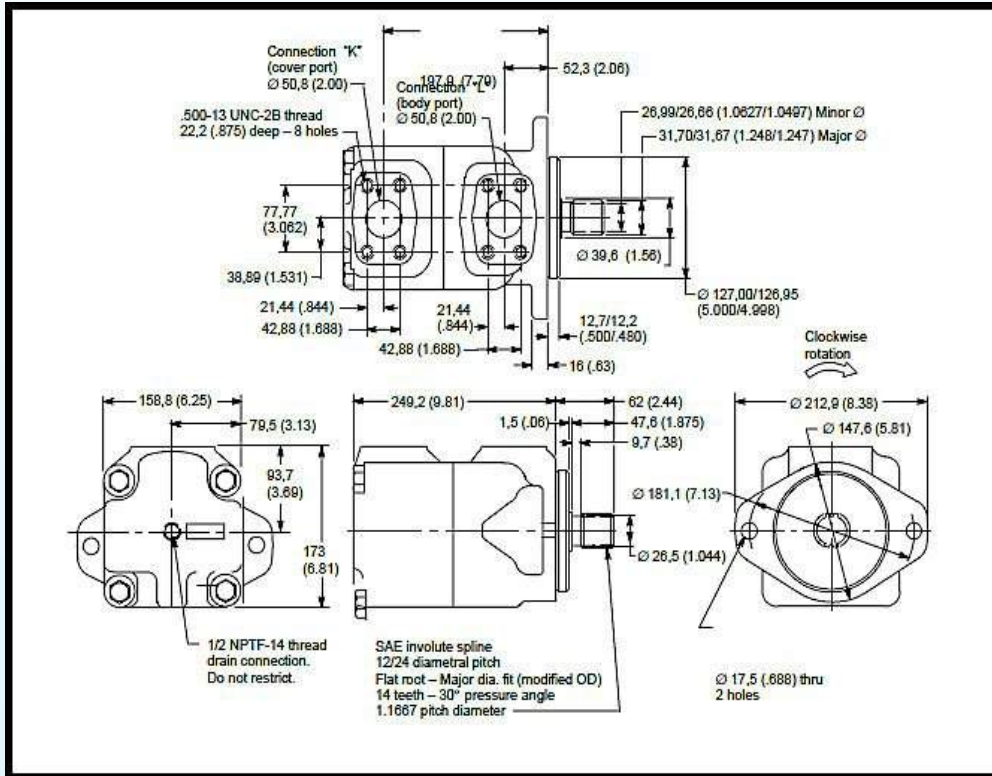
[www.tidalfuidpower.com.au](http://www.tidalfuidpower.com.au)

[sales@tidalfuidpower.com.au](mailto:sales@tidalfuidpower.com.au)

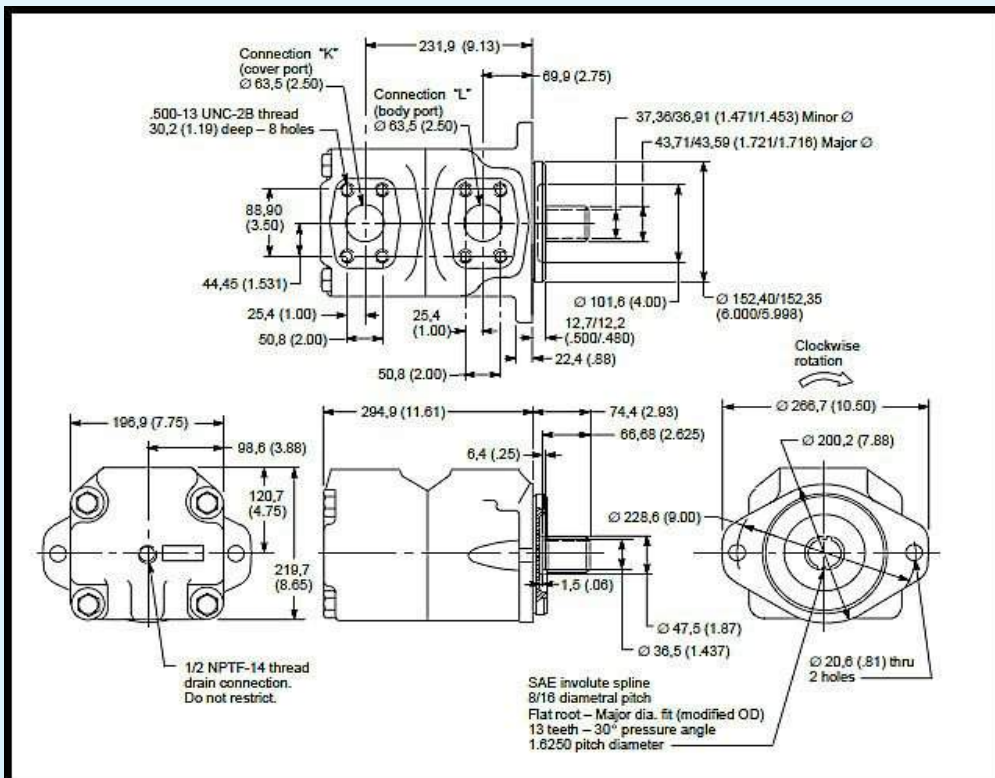
# Single Vane Motors

## Installation Dimensions

**T45M**



**T50M**



Phone: 07 3889 4591

Fax: 07 3889 5921

[www.tidalfluidpower.com.au](http://www.tidalfluidpower.com.au)

[sales@tidalfluidpower.com.au](mailto:sales@tidalfluidpower.com.au)