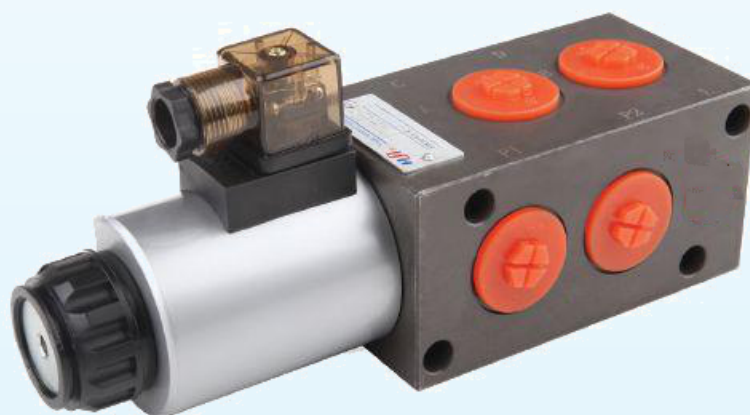
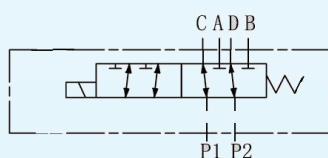


# DIVERTER VALVE

## SVK-10 Single

**Six Port Valve**

### SYMBOL



The stackable circuit selector valves, type SVK-10 allows one single supply with up to 4 valves connected together. As they are controlled from high performance solenoids, they do not require external drainage.

These valves can manage high hydraulic powers with a minimal pressure drop.

Model	SVK-10
Max Flow Rate (L/Min)	80
Max Operating Pressure (MPa)	25
Valve Body (material) surface treatment	(casting) Phosphating surface
Oil Cleanliness	NAS1638 Class 9 & ISO4406 class 20/18/15
Valve Mass	5.6kg

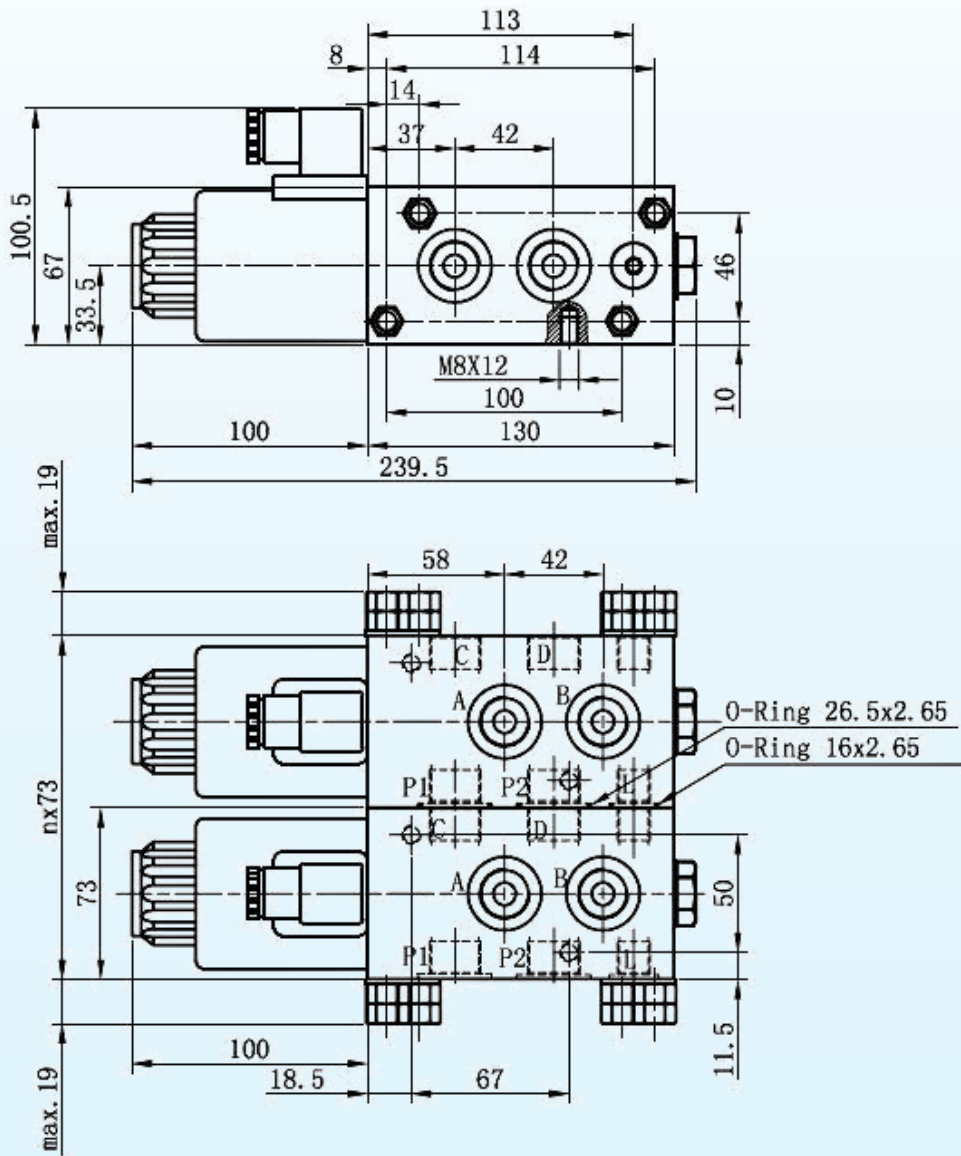
**Phone: 07 3889 4591**

**Fax: 07 3889 5921**

**[www.tidalfuidpower.com.au](http://www.tidalfuidpower.com.au)**

**[sales@tidalfuidpower.com.au](mailto:sales@tidalfuidpower.com.au)**





SVK	10	6	G 1/2	Z25L	12V	M
Single Valve						M=Manual Override
Size NG10						
No of ports						
Threaded connectors 1/2" BSP = G 1/2						
				Z5L = Electrical connector with light		
					Control Voltage 12V = 12VDC 24V = 24VDC	

Phone: 07 3889 4591

Fax: 07 3889 5921

[www.tidalfuidpower.com.au](http://www.tidalfuidpower.com.au)

[sales@tidalfuidpower.com.au](mailto:sales@tidalfuidpower.com.au)

