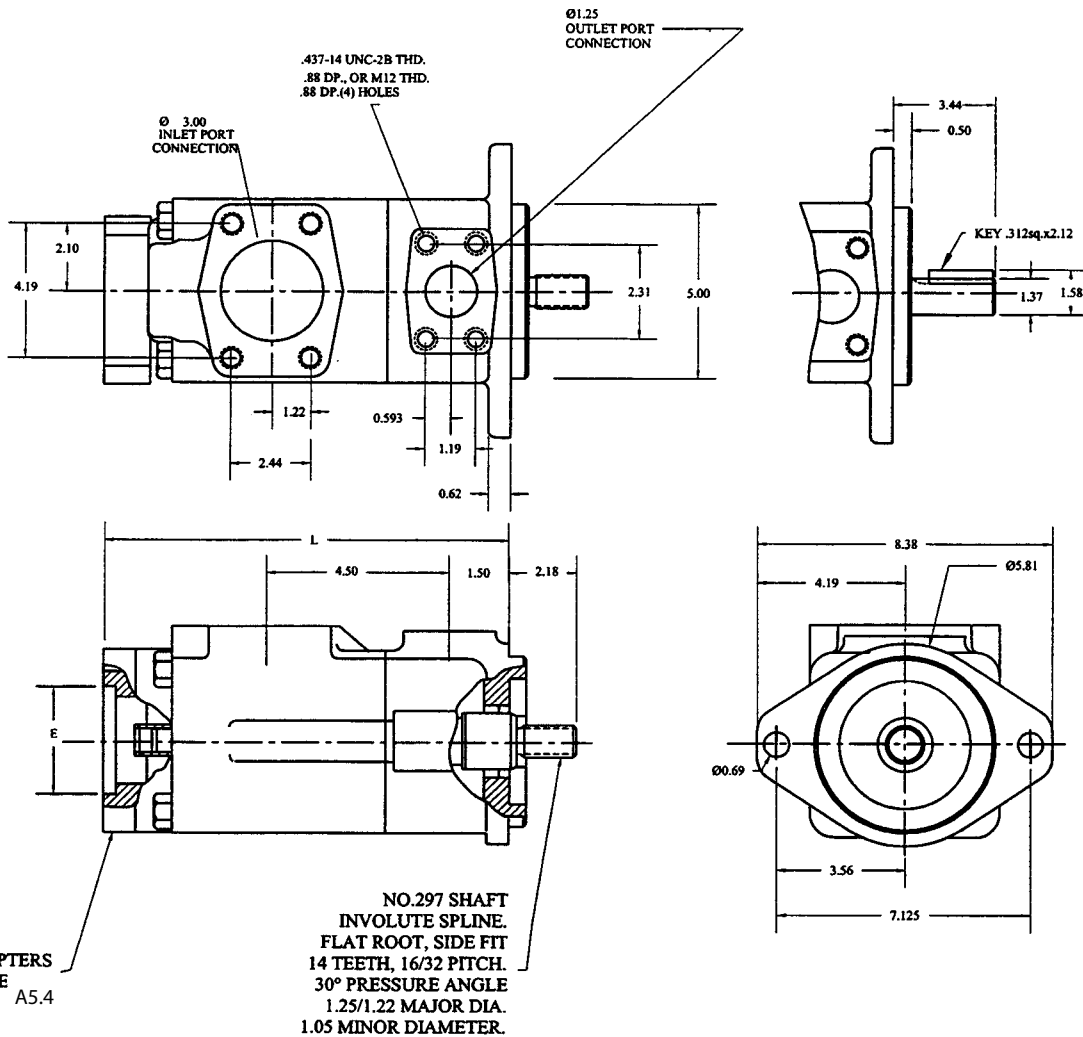
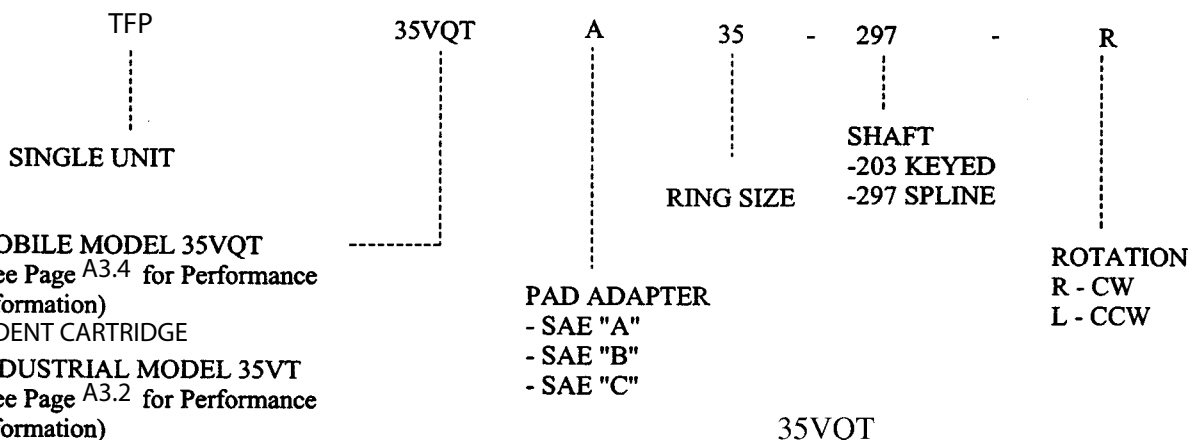


TFP 35VQT VANE PUMP



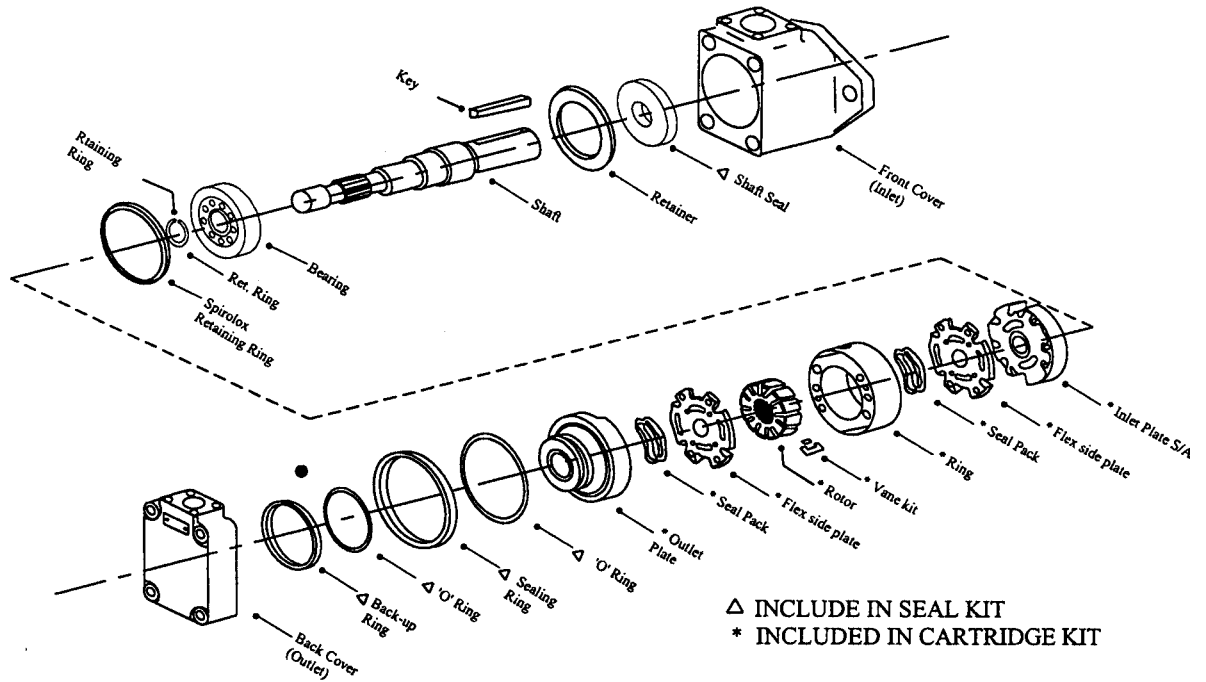
◆ 35VT/VQT Pump Ordering Specifications



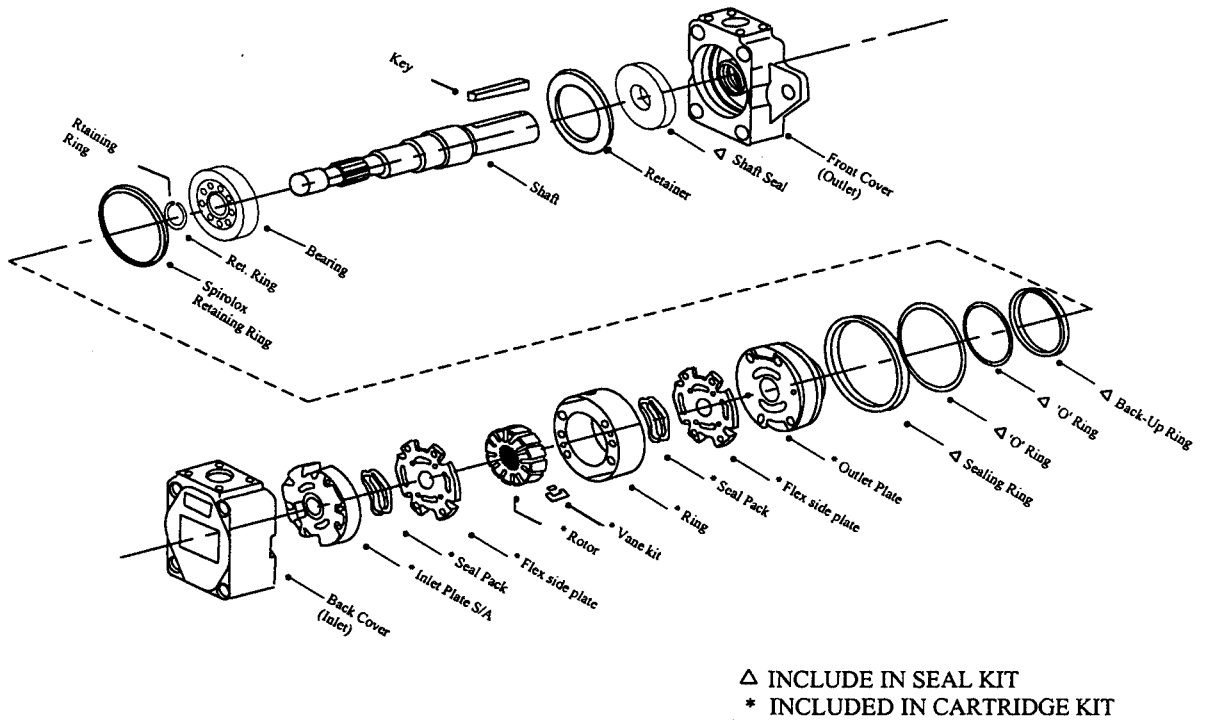
35VQT

Adaptor	"L"	"E"
SAE A	10.2"	3.253" Dia
SAE B	10.6"	4.003" Dia
SAE C	10.9"	5.003" Dia

TFP MOBILE SINGLE VANE PUMP SERVICE PARTS INFORMATION



20VQ



25VQ/35VQ/45VQ

TFP MOBILE SINGLE VANE PUMPS SERVICE PARTS INFORMATION



CARTRIDGE CHART

PUMP SE	CARTRIDGE KITS	ROTOR	VANE	RING	FLEX PLATE	INLET PLATE	OUTLET PLATE	SHAFTS	
20VQ	5 497115N	402690N	922741N	333624N	416423N	419502N	497134N	1 151	497109N
	8 497118N			333625N					497113N
	11 497120N	403539N	922743N	333626N		419501N			
	12 497121N			353901N					
	14 497122N			353902N					
25VQ	12 416439N	270597N	922710N	326984N	923956N	430805N	419079N	1 3 11 25 127	238755N
	14 416440N			326985N					242747N
	17 416441N			326986N					238929N
	19 421232N			326987N					270187N
	21 416442N			326988N					424457N
35VQ	21 413420N	262154N	922700N	394961N	923953N	430806N	412003N	1 11 19	233624N
	25 413421N			319396N					242287N
	30 413422N			319397N					275270N
	35 413418N			319398N					
	38 413419N			319399N					
45VQ	42 416435N	283271N	922701N	297510N	923954N	430807N	415382N	1 11 19	233369N
	47 421234N			297718N					242885N
	50 416436N			297502N					
	57 421233N			306772N					
	60 416437N			297503N					265575N

- All Cartridge assemblies are factory tested before shipping -

PUMP SE	BUNA SEAL KIT	VITON SEAL KIT	BUNA SHAFT SEAL	VITON SHAFT SEAL	SECONDARY SHAFT SEAL	BEARING	FRONT COVER	BACK COVER
20VQ	497123N	451471N	394976N	429286N	429283N	001704N	02-102335N	250824N
25VQ	920021N	920023N	394976N	429286N	429283N	1705N	942353N	224309N
35VQ	920015N	920029N	394973N	429284N	429281N	38441N	942355N	234248N
45VQ	920025N	920027N	394974N	429282N	429285N	131812N	942356N	229633N

BOLT TORQUES

PUMP SE	COVER BOLT (FT. LB.)	CARTRIDGE KIT (IN. LB.)
20VQ	50	30
25VQ	50	45
35VQ	100	100
45VQ	100	105

Cartridge Kit Rotation

To change Cartridge Kit rotation, reverse the location of the inlet and outlet Support Plates. Hand tighten the cartridge screws and use pump cover to align all the parts. Remove the cover and tighten the cartridge screws to the designated value. Sharp edge of vanes must lead in direction of rotation.

Filtration

For satisfactory service life use full flow filtration to provide fluid which meets ISO cleanliness code 16/13 or better.